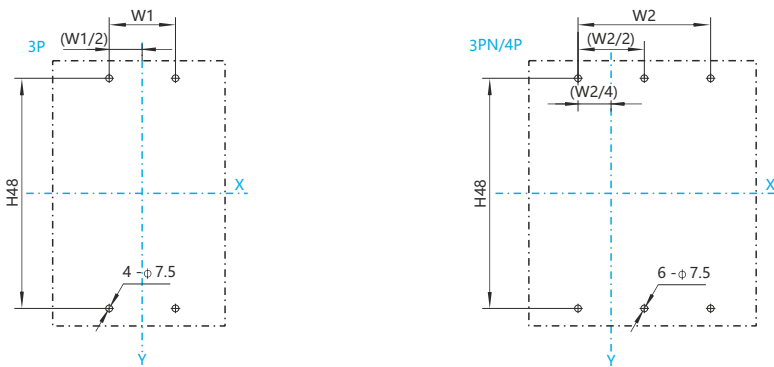




NXM-800S/F/H, NXHM-800

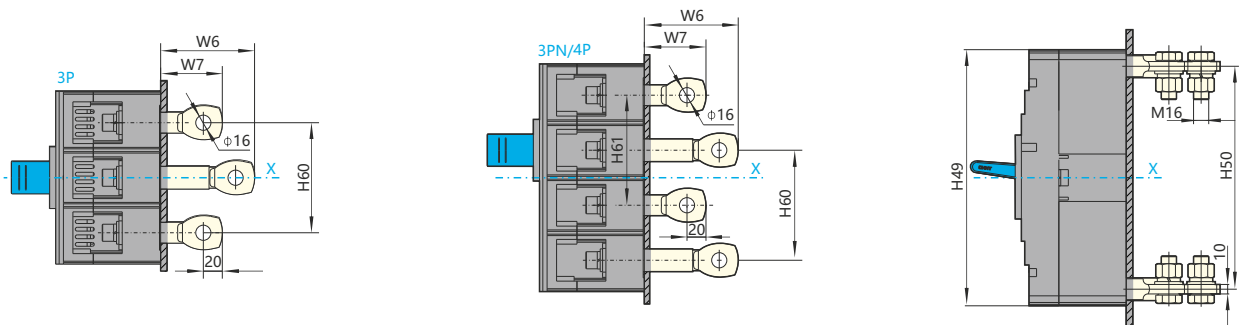
Installation size of baseplate(mm)



Specification and model	D16	D17	D	H48	W1	W2	Remark
NXM-800S/F/H NXHM-800	43	41	10.5	200	58	116	630A
	44	42	10.5	200	58	116	700A
	45	43	10.5	200	58	116	800A

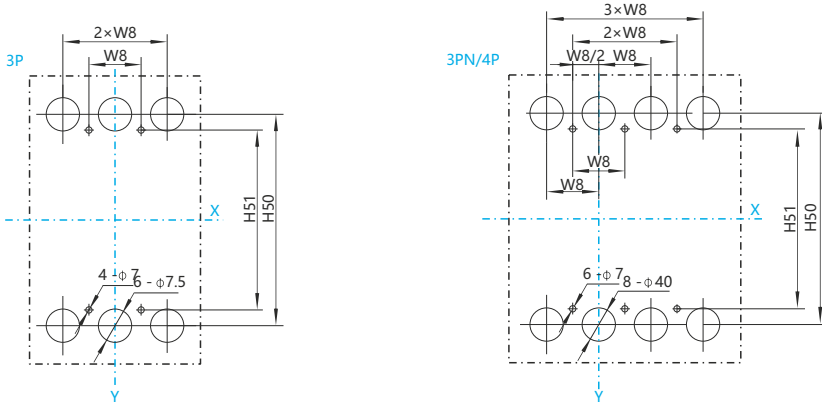
NXM-800S/F/H, NXHM-800

Rear connection, dimension (mm)



NXM-800S/F/H, NXHM-800

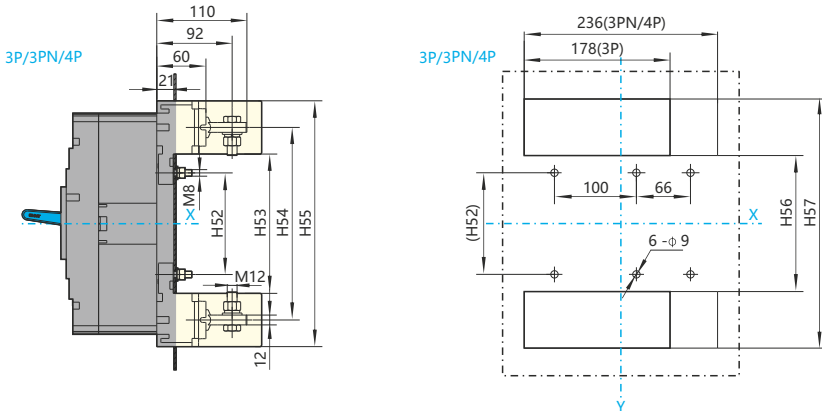
Rear connection, dimension(mm)



Specification and model	W6	W7	W8	H49	H50	H51	H60
NXM-800S/F/H	99	67	58	270	235	200	116
NXHM-800	99	67	58	270	235	200	116

NXM-800S/F/H, NXHM-800

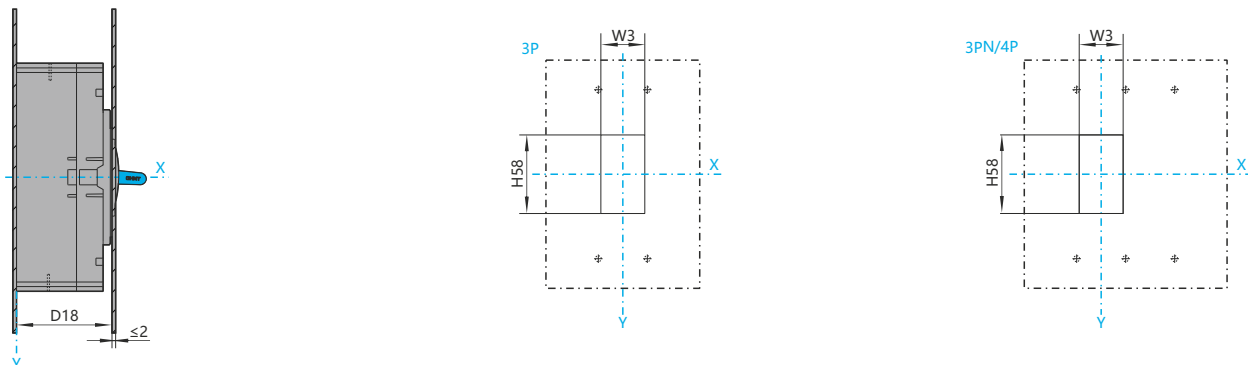
Plug-in rear connection, dimension (mm)



Specification and model	H52	H53	H54	H55	H56	H57	Remark
NXM-800S/F/H	124	170	235	300	168	302	3P/4P
NXHM-800	124	170	235	300	168	302	3P/4P

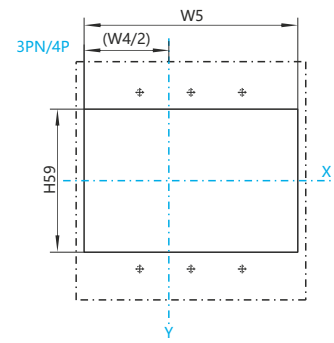
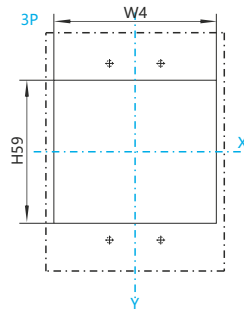
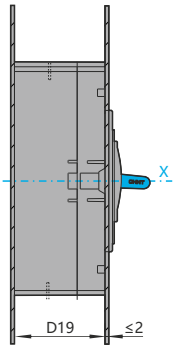
NXM-800S/F/H, NXHM-800

Cabinet gate hole (small) size (mm)



NXM-800S/F/H, NXHM-800

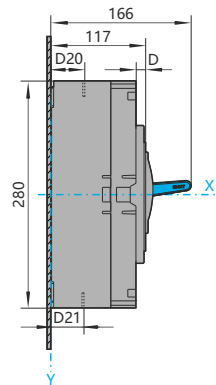
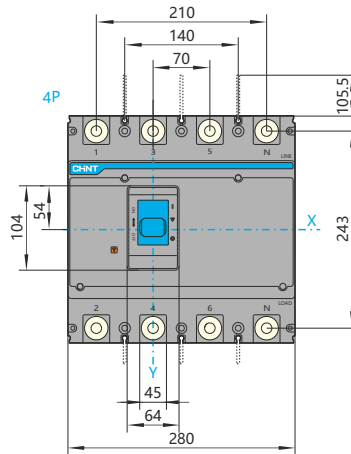
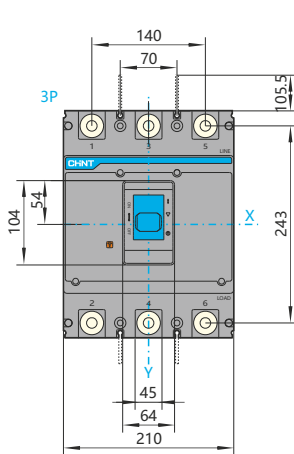
Cabinet gate hole (large) size (mm)



Specification and model	D18	D19	H58	W3	H59	W4	W5	Remark
NXM-800S/F/H	113	102.5	95	54	162	184	242	3P/4P
NXHM-800	113	102.5	95	54	162	184	242	3P/4P

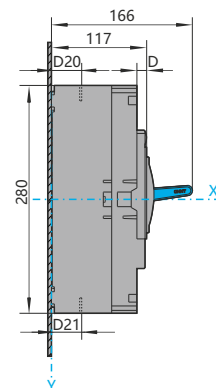
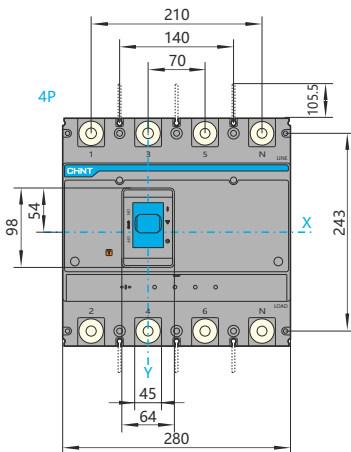
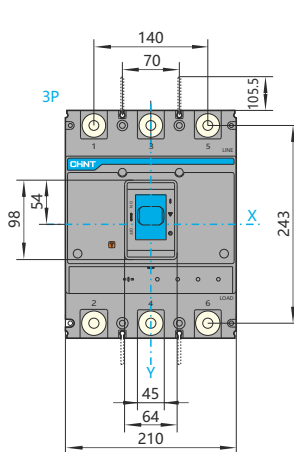
NXM-1000S/H, NXHM-1000

Front connection, dimension (mm)



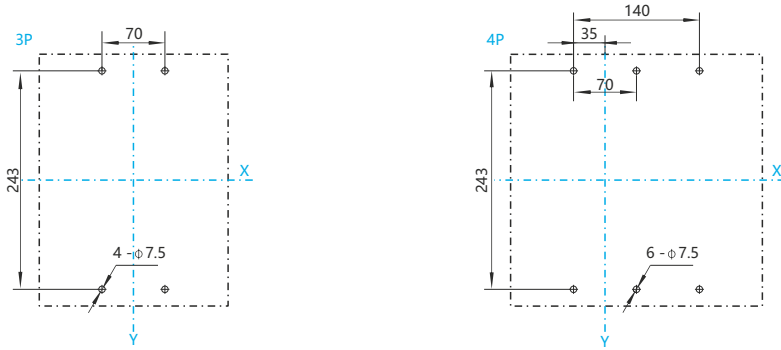
NXMS-1000S/H

Front connection, dimension (mm)



NXM-1000S/H, NXMS-1000S/H, NXHM-1000

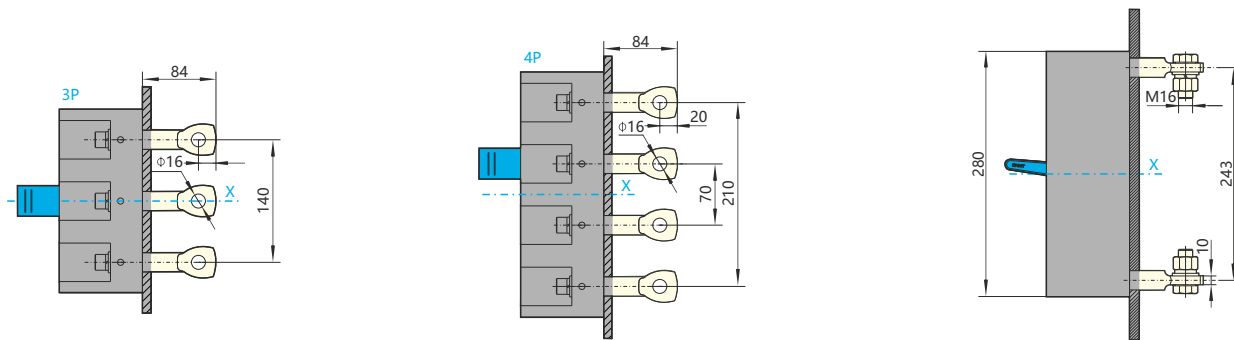
Installation size of baseplate (mm)



Specification and model	D20	D21	D	Remark
NXM-1000S/H	41	41	12	800A
NXHM-1000	43	42	12	1000A
NXMS-1000S/H	43	43	12	800/1000A

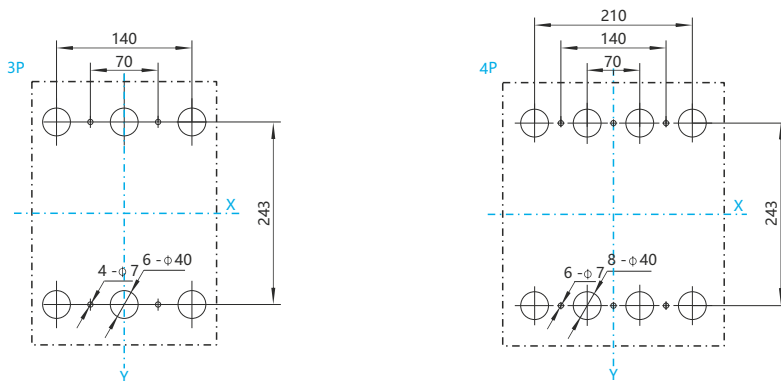
NXM-1000S/H, NXMS-1000S/H, NXHM-1000

Rear connection, dimension (mm)



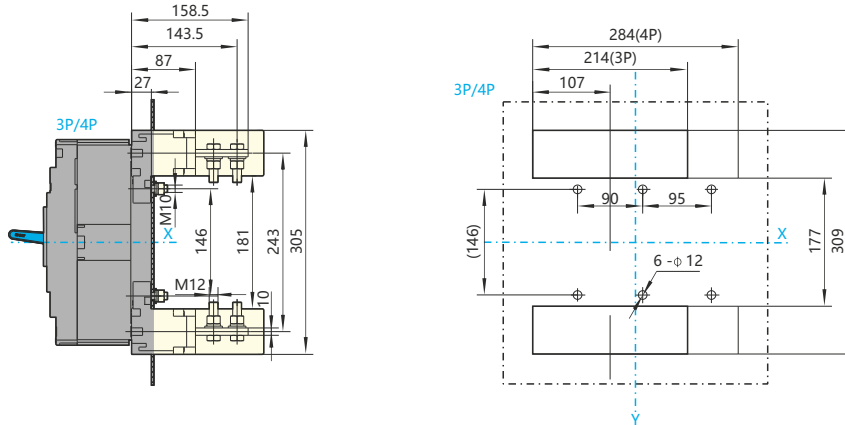
NXM-1000S/H, NXMS-1000S/H, NXHM-1000

Rear connection, dimension (mm)



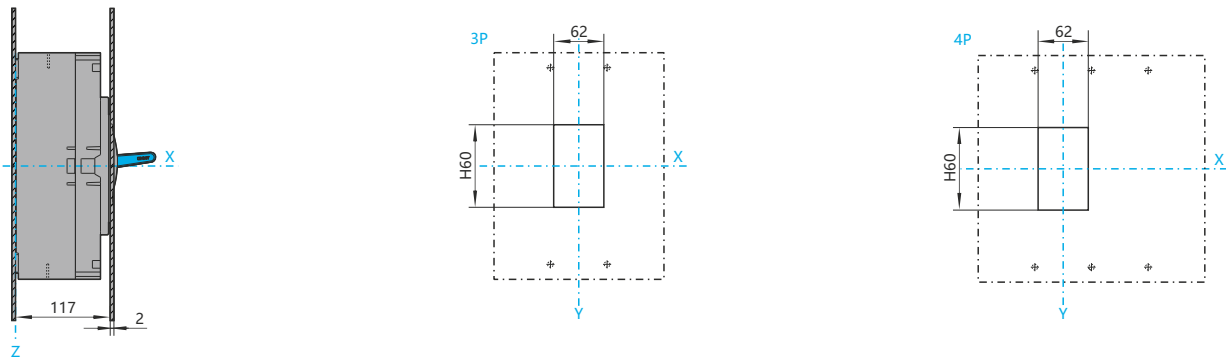
NXM-1000S/H, NXMS-1000S/H, NXHM-1000

Plug-in rear connection, dimension (mm)



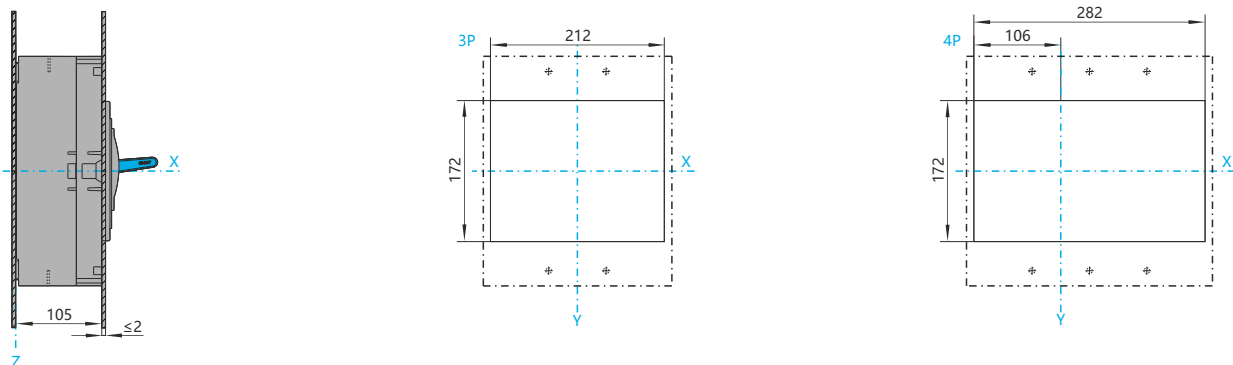
NXM-1000S/H, NXMS-1000S/H, NXHM-1000

Cabinet gate hole (small) size (mm)



NXM-1000S/H, NXMS-1000S/H, NXHM-1000

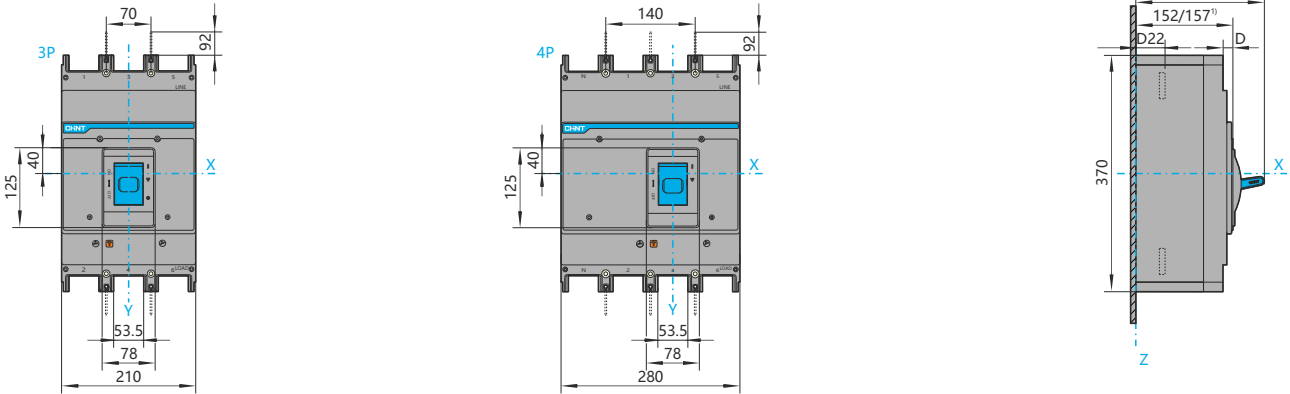
Cabinet gate hole (large) size (mm)



Specification and model	H60	Remark
NXM-1000S/H	102	3P/4P
NXMS-1000S/H	95	3P/4P
NXHM-1000	102	3P/4P

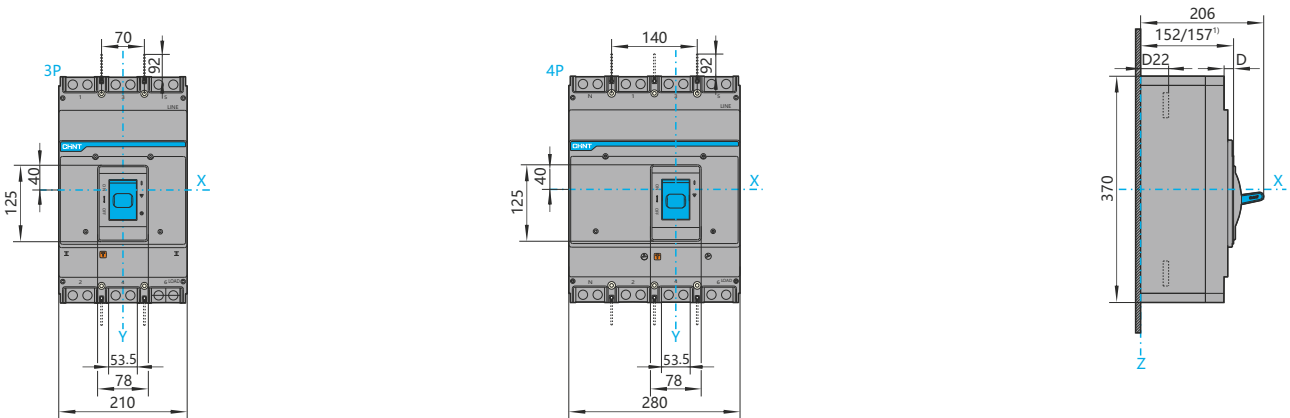
NXM-1250S/H,1600S/H

Front connection, dimension (mm)



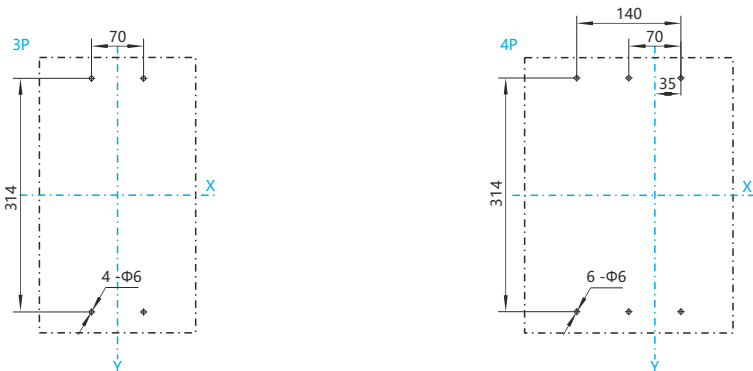
NXMS-1250S/H,1600S/H

Front connection, dimension (mm)



NXM-1250S/H,1600S/H , NXMS-1250S/H,1600S/H

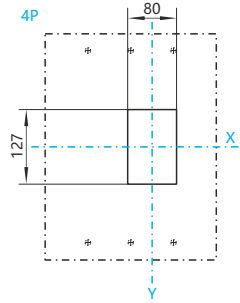
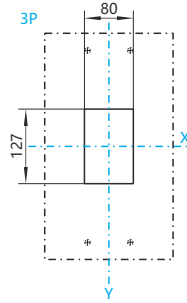
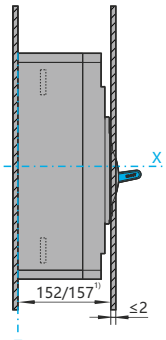
Installation size of baseplate (mm)



Specification and model	D22	D	Remark
NXM-1250S/H,1600S/H	55	15.5	1000A
	57		1250A
	65		1600A
NXMS-1250S/H,1600S/H	57	15.5	1250A
	65		1600A

NXM-1250S/H, 1600S/H, NXMS-1250S/H, 1600S/H

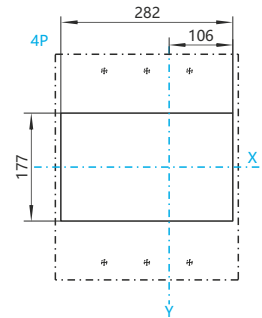
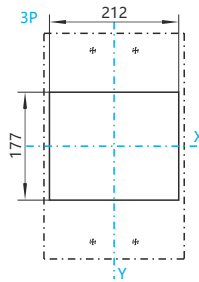
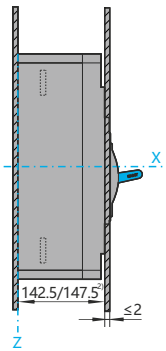
Cabinet gate hole (small) size (mm)



<sup>1)</sup>152 is for frame current 1250A breaker;  
157 is for frame current 1600A breaker

NXM-1600S/H, NXMS-1600S/H/, NXHM-1600

Cabinet gate hole (large) size (mm)

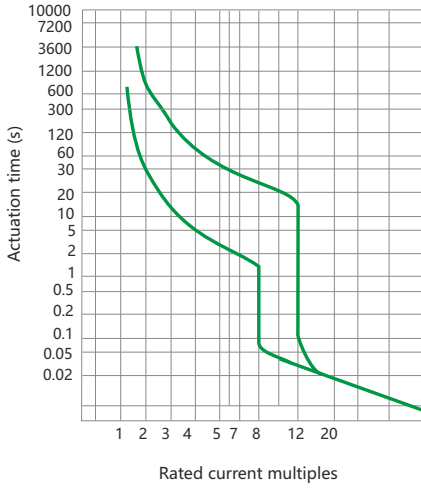


<sup>2)</sup>152 is for frame current 1250A breaker;  
157 is for frame current 1600A breaker



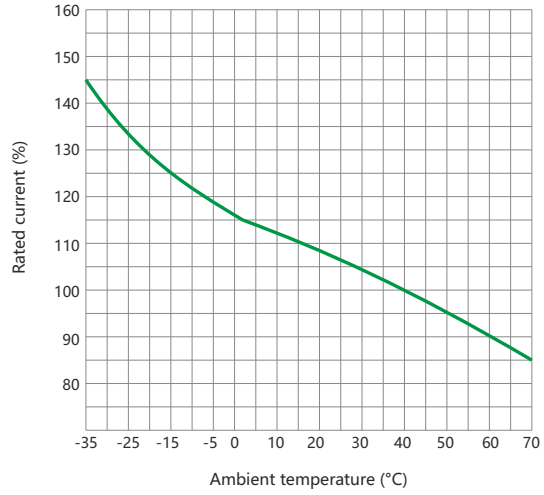
NXM-63

Tripping curve



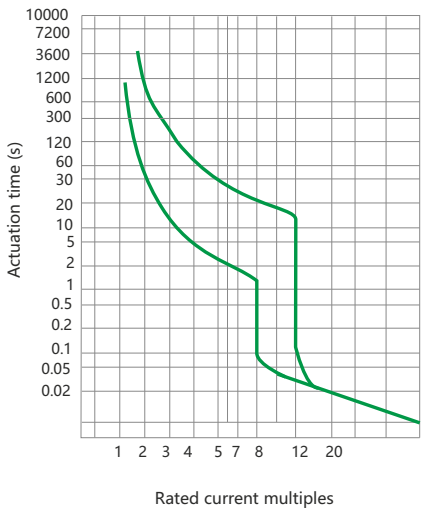
NXM-63

Temperature compensation curve



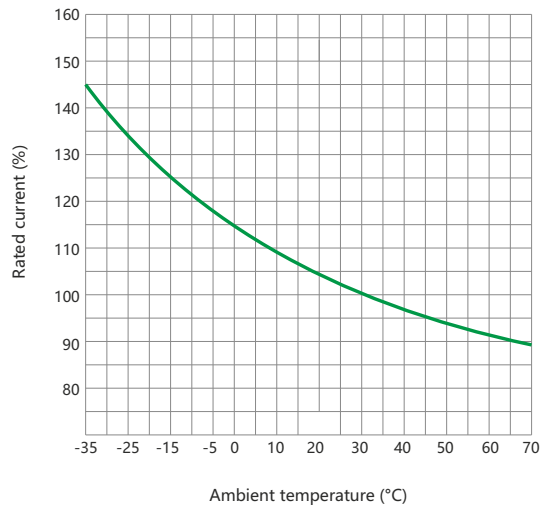
NXM-125, NXMLE-125

Tripping curve



NXM-125, NXMLE-125

Temperature compensation curve

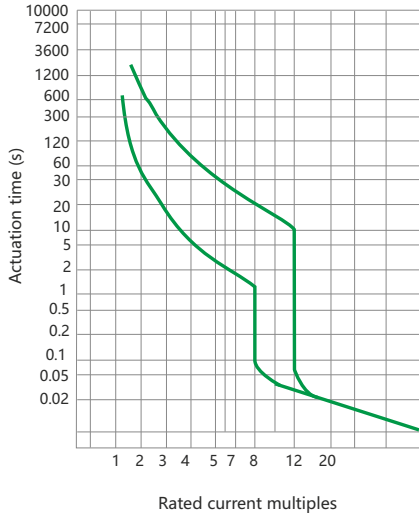






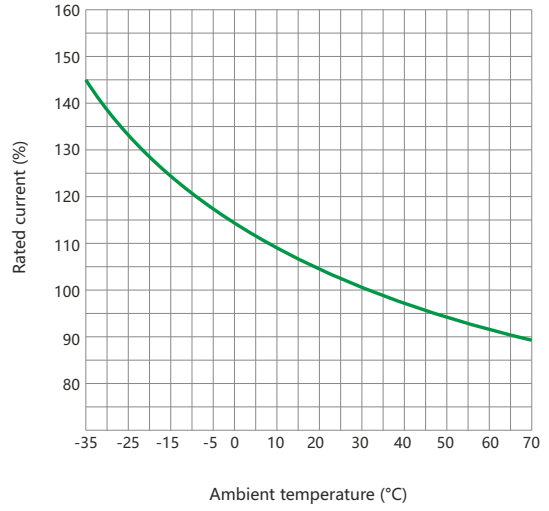
NXM-160, NXMLE-160

Tripping curve



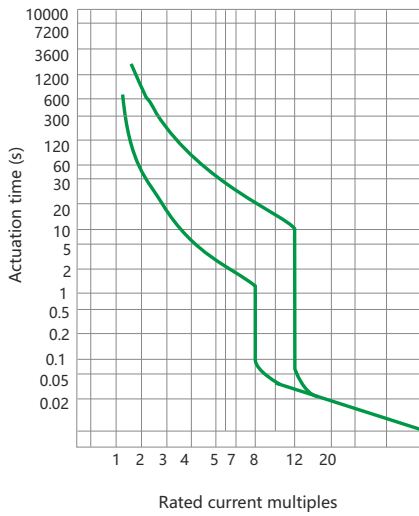
NXM-160, NXMLE-160

Temperature compensation curve



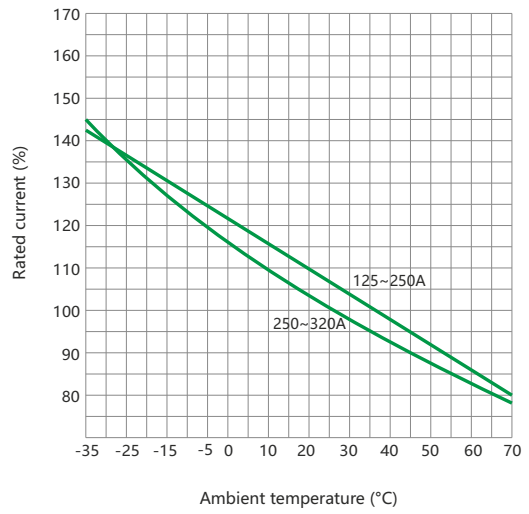
NXM-250, NXMLE-250

Tripping curve



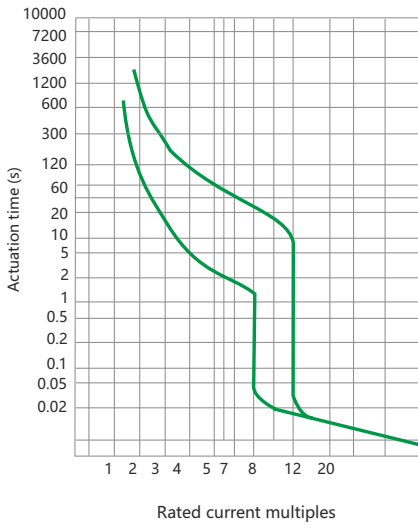
NXM-250, NXMLE-250

Temperature compensation curve



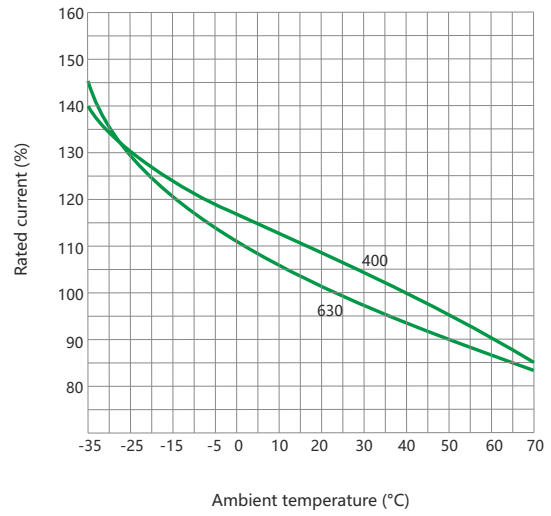
NXM-400/630, NXMLE-400/630

Tripping curve



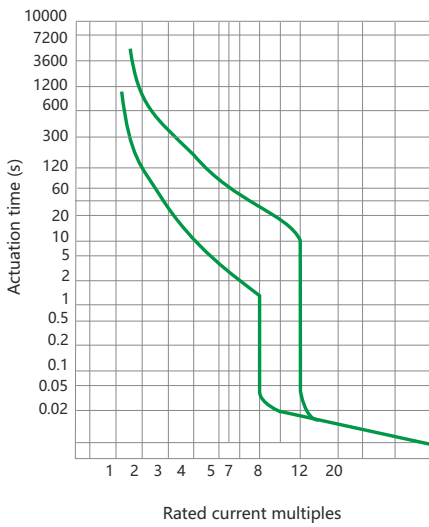
NXM-400/630, NXMLE-400/630

Temperature compensation curve



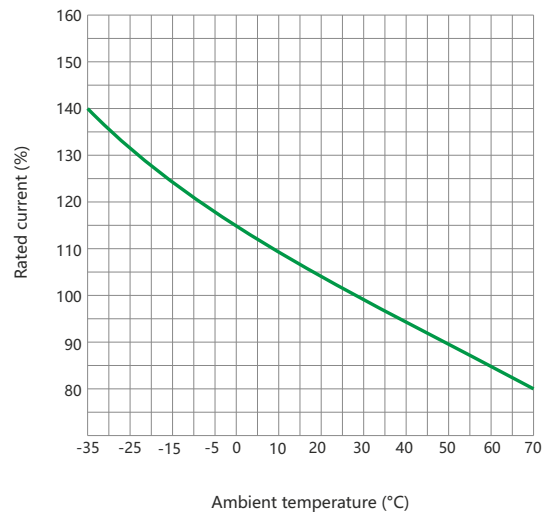
NXM-800

Tripping curve



NXM-800

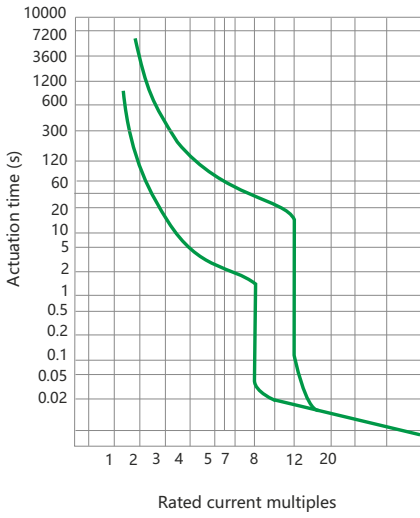
Temperature compensation curve





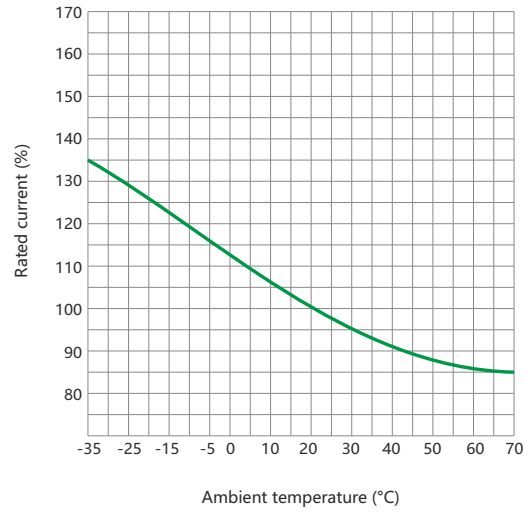
NXM-1000

Tripping curve



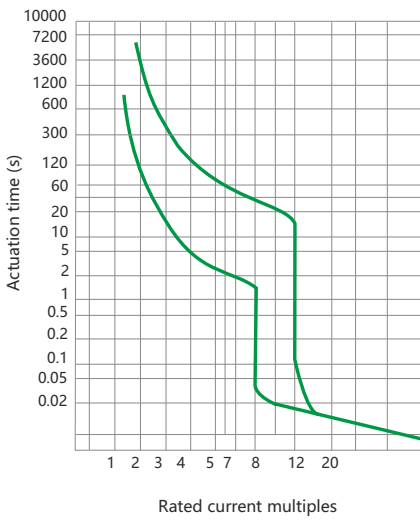
NXM-1000

Temperature compensation curve



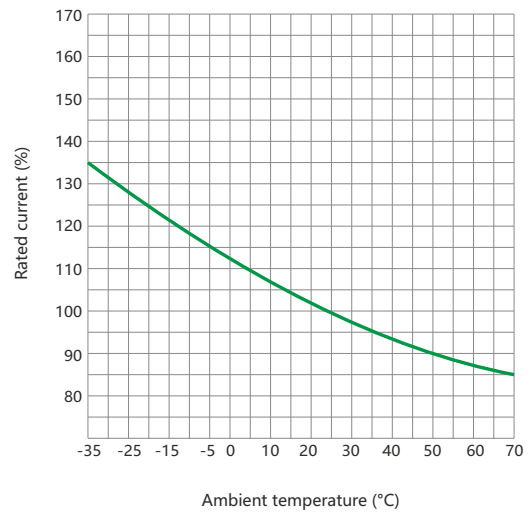
NXM-1250,1600

Tripping curve



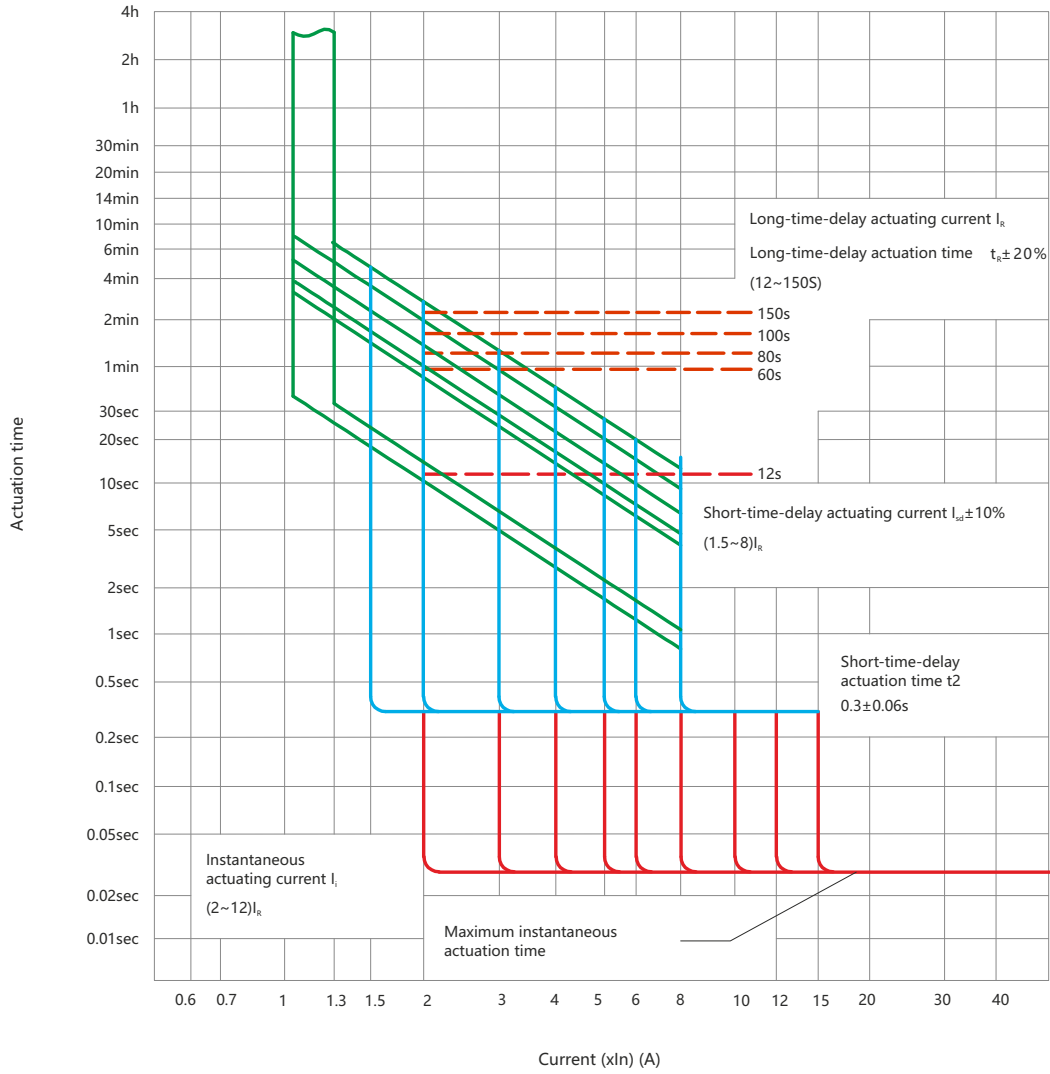
NXM-1250,1600

Temperature compensation curve



NXMS series electronic moulded case circuit breaker

Tripping curve of distribution protection



NXMS series electronic moulded case circuit breaker

Tripping curve of motor protection

